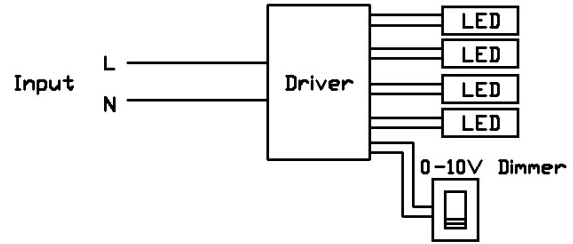


SPECIFICATIONS

Features

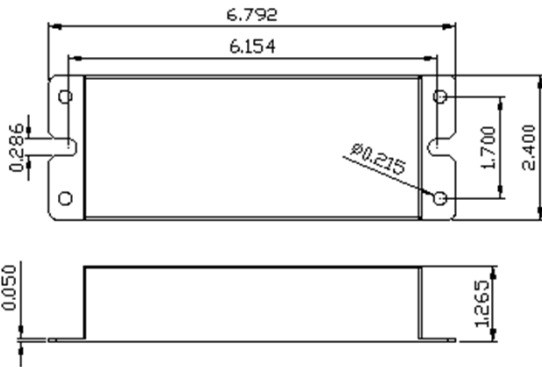
- Constant Current Output
- 0-10V Dimming
- Class 2 LED Output (x 4)
- 5 Year Warranty
- Supporting DIM TO OFF Capability
- 4 Channel Output

Wiring Diagram



Mechanical and Thermal

Dimensions	6.792" X 2.400" X 1.265"
Weight	360 g
Lead Wire Length	6" (standard)
Max. Case Operation Temp.	80°C



* Dimension in Inch/Metric

Protection

- Auto-reset electronic short circuit
- Overload protection
- Inherent Thermal Protection
- Hot Wire Protection

Environmental Specifications

- Operating Temperature -20° to 60°C
- Storage Temperature -20° to 70°C
- MTBF >100,000 hrs
- RoHS Compliant
- Lead Free SMT process

Electrical

Maximum Load	50W
Input Voltage	120-277V/50/60Hz
Output Voltage	9-34VDC(each channel)
Output Current (max.)	350mA
Power Factor	>0.90
Efficiency	84 typ.
No Load Loss	<2 W

Note –

1. UL file No.: E340871
2. Driver is designated for "Stand by mode" at minimum light intensity (<0.8Vdc) power will not be OFF.



Macron Associate Co. – Power Supply Team

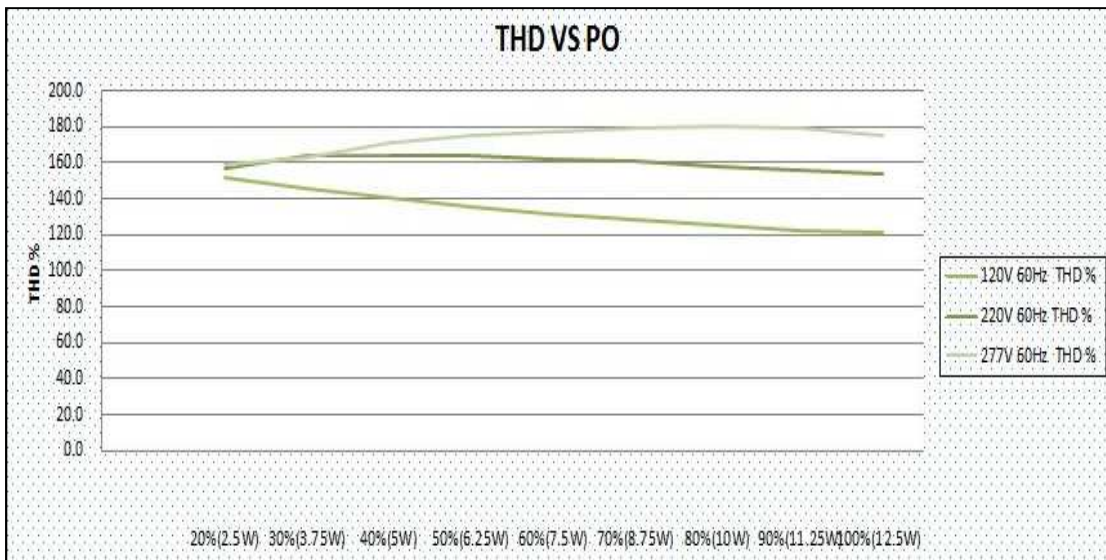
NO.352, Peng-Yi Road, Taiping, Taichung, Taiwan 411

TEL: 886-4-22708357 FAX: 886-4-22767307 Email: macron@macrongroup.com

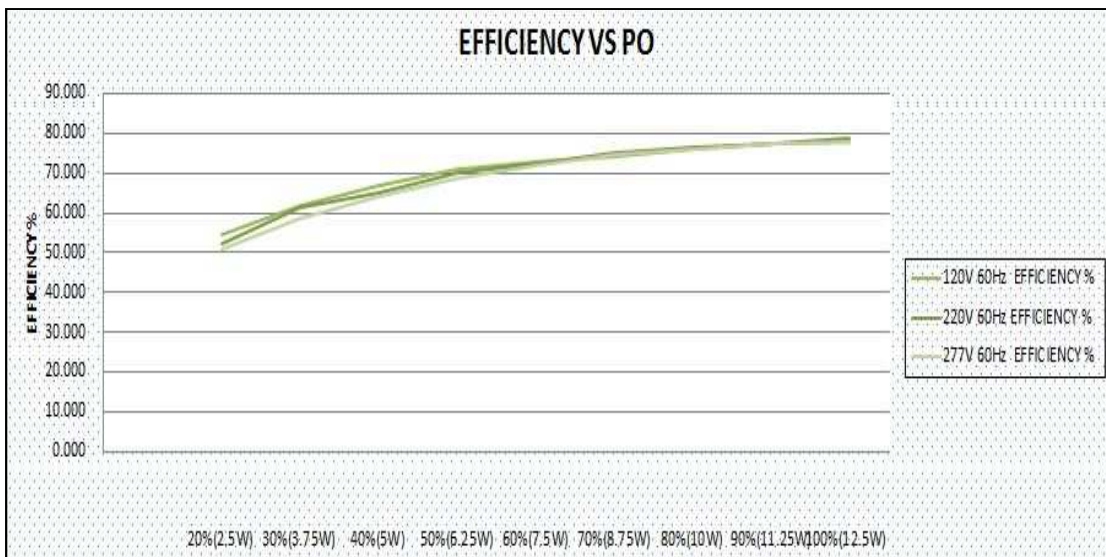
B1115

Electrical Specifications

THD of the driver VS Power Output (W):



Efficiency of the driver VS Power Output (W):



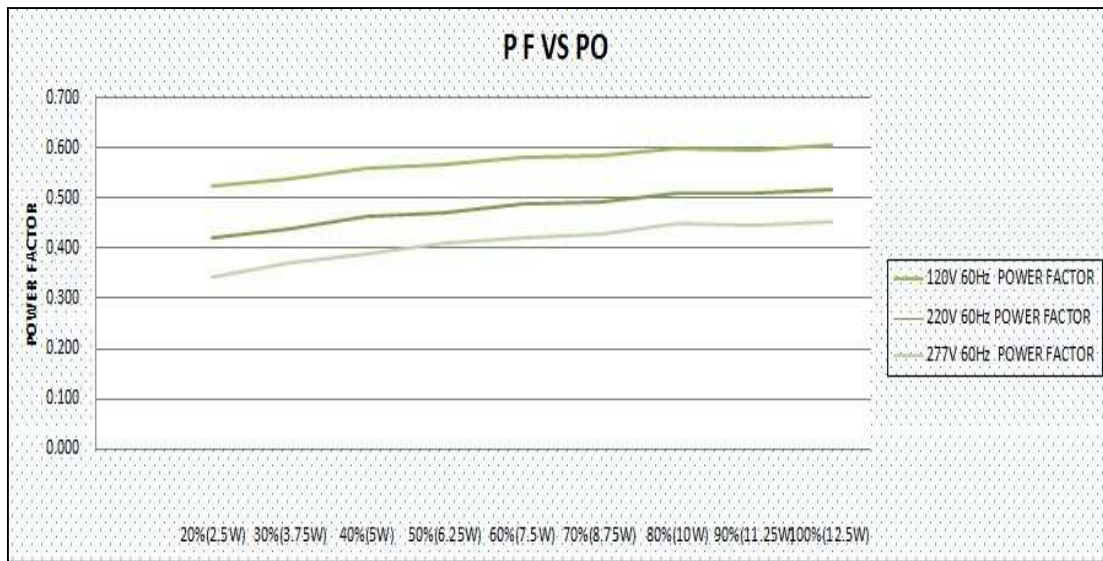
Macron Associate Co. – Power Supply Team

NO.352, Peng-Yi Road, Taiping, Taichung, Taiwan 411

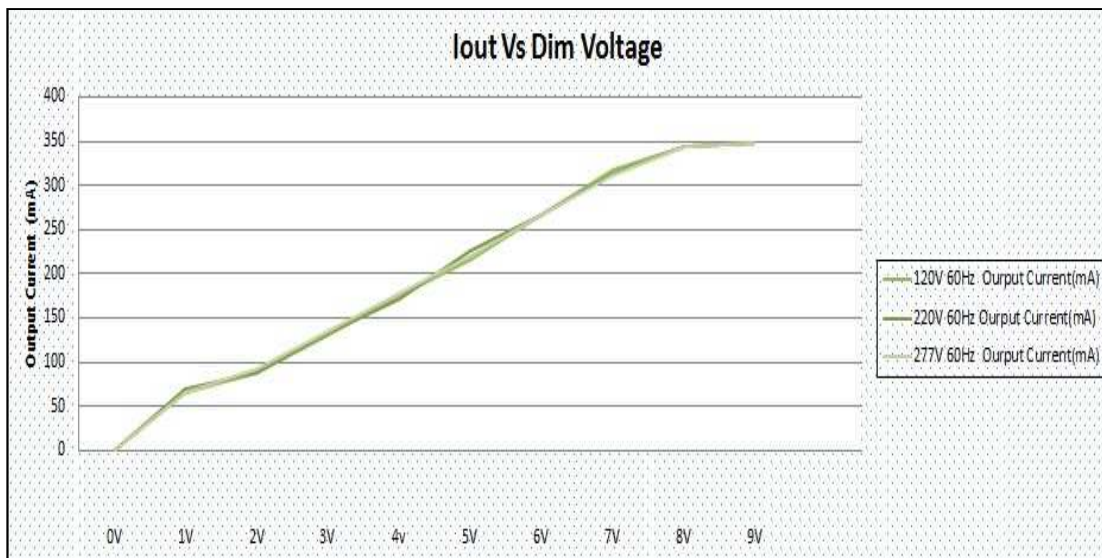
TEL: 886-4-22708357 FAX: 886-4-22767307 Email: macron@macrongroup.com

B1115

Efficiency of the driver VS Power Output (W):



Lout vs Dim Voltage



Macron Associate Co. – Power Supply Team

NO.352, Peng-Yi Road, Taiping, Taichung, Taiwan 411

TEL: 886-4-22708357 FAX: 886-4-22767307 Email: macron@macrongroup.com

B1115